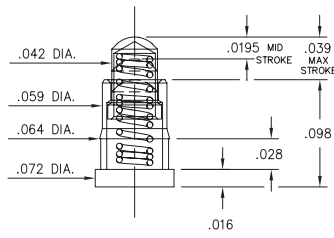
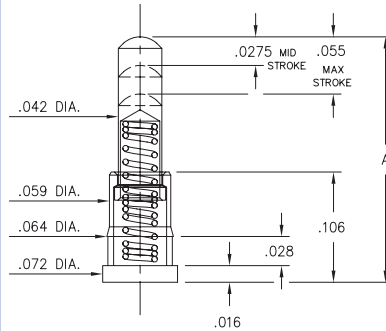


0900-0



0900-0-00-00-00-00-11-0
Short stroke, Surface mount
Lowest profile

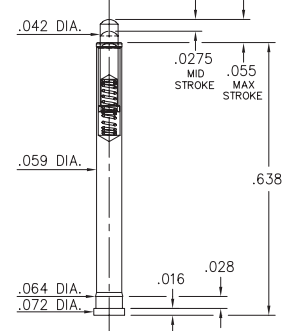
0900-1⇒4



0900-X-00-00-00-00-11-0
Standard stroke, Surface mount
Low profile

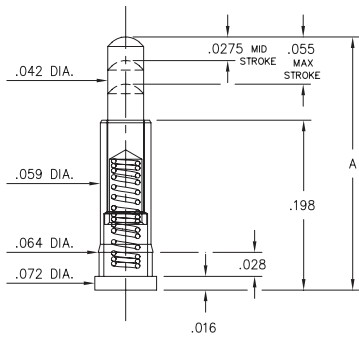
Basic Part Number	Length A
0900-1	.177
0900-2	.197
0900-3	.217
0900-4	.236

0905



0905-0-00-00-00-00-11-0
Standard stroke, Surface mount
Highest Profile

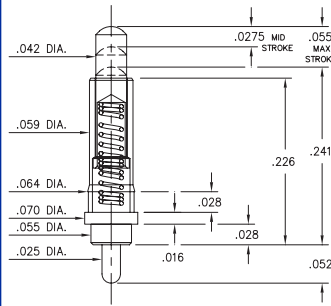
0907-X



0907-X-15-20-75-14-11-0
Standard stroke, Surface mount
High profile

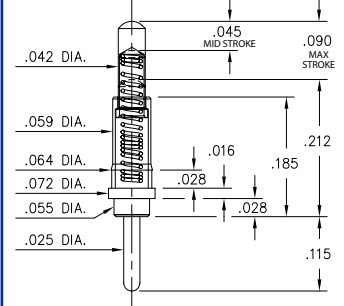
Basic Part Number	Length A
0907-0	.255
0907-1	.275
0907-2	.295
0907-3	.315
0907-4	.335
0907-5	.350
0907-6	.370
0907-7	.390
0907-8	.410
0907-9	.430

0901



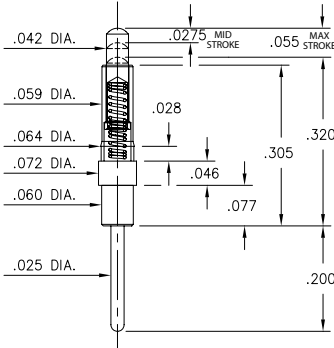
0901-0-00-00-00-00-11-0
Standard stroke
Solder mount in .027 min. mounting hole

0914



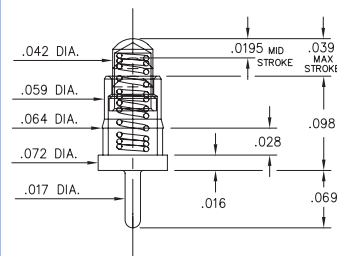
0914-0-15-20-77-14-11-0
Long stroke.
Solder mount in .027 min. mounting hole

0922



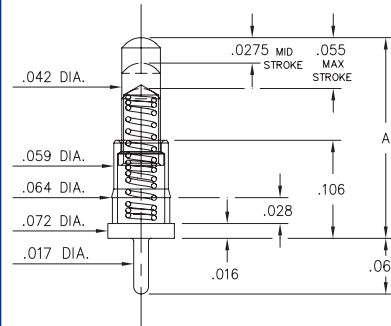
0922-0-15-20-75-14-11-0
Standard stroke
Solder mount in .027 min. mounting hole

0906-0



0906-0-15-20-76-14-11-0
Short stroke
Solder mount in .018 min. mounting hole

0906-1⇒4



0906-X-15-20-75-14-11-0
Standard stroke
Solder mount in .018 min. mounting hole

Basic Part Number	Length A
0906-1	.177
0906-2	.197
0906-3	.217
0906-4	.236

SPECIFICATIONS

SLEEVE & PLUNGER MATERIAL: Copper Alloy
SPRING MATERIAL: Beryllium Copper
CURRENT RATING: 2A continuous, 3A peak
CONTACT RESISTANCE: 20mΩ max.
DURABILITY: 1,000,000 cycles min.
DIMENSION IN INCHES
TOLERANCES ON: LENGTHS: ±.005
 DIAMETERS: ±.002
 ANGLES: ± 2°

ORDER CODE: XXXX - X - 15 - 20 - 7X - 14 - 11 - 0

BASIC PART # →
SLEEVE & PLUNGER FINISH:
 20 20μ" GOLD OVER NICKEL

SPRING FINISH:
 14 10μ" GOLD OVER NICKEL

SPRING
 75 Standard Stroke (.055):
 76 Short Stroke (.039):
 77 Long Stroke (.090):

{ 25 grams@min stroke
 { 60 grams@mid stroke
 { 95 grams@max stroke

